

2.2Mega Pixel HD-SDI 2Motorized **Auto-Focus** Camera(WDR)

AVIR-HDT41VMI (DC12V)

WDR : 15frame

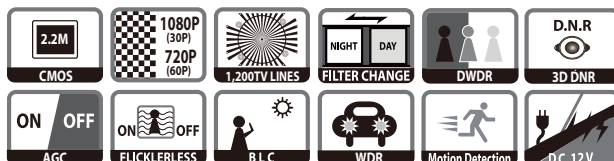


2Motorized **Auto-Focus 2.2Mega Pixel HD-SDI 1080P
True Day & Night IR Bullet Camera**

DarkHunter

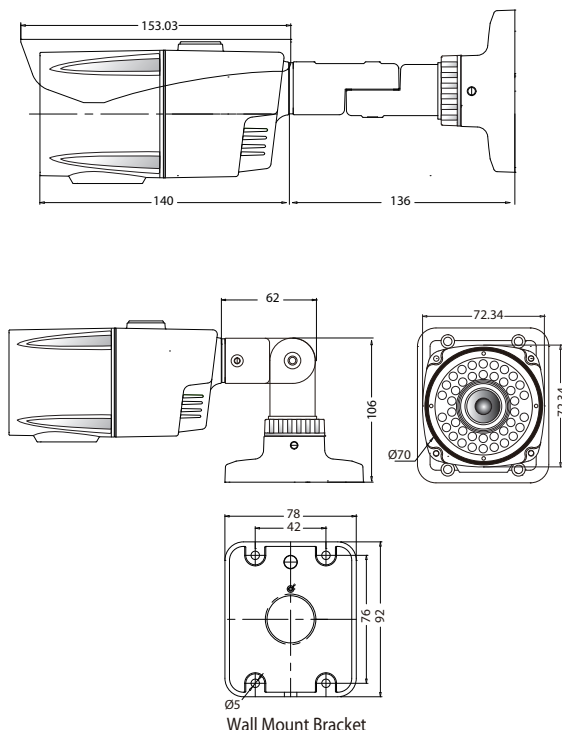
FEATURES

- 1/2.8" 2.2 Mega SONY **STARVIS** CMOS Sensor
- 1,200TV Lines (Resolution)
- 2.8~12mm TDN Mega DC Lens(2Motorized)
- True Day & Night
- **WDR** (Wide Dynamic Range)
- DNR (Digital Noise Reduction : 2D + 3D)
- Privacy Mask Function
- Intelligent Motion Detection
- Defog : Defogging foggy video image
- Output:
 - EX-SDI,HD-SDI
 - Analog Output : NT, PAL Composite
- Built-in IR LED 40pcs (Night View Distance 50m)
- Built-in OSD Controller
- Built-in Service Video
- 3-Axis Metal Housing
- Weatherproof (IP66)



DIMENSIONS

unit : mm



SPECIFICATIONS

AVIR-HDT41VMI	
Image Sensor	1/2.8" 2.2Mega pixel SONY STARVIS CMOS
Resolution	Digital : 1920 X 1080 (25P/30P)
Total Pixels	1945(H) X 1109(V) = 2,16Mega(pixel)
Effective Pixels	1945(H) X 1097(V) = 2,13Mega(pixel)
Shutter Speed	Auto / Manual (1/30(1/25) ~ 1/60000)
Min. illumination	Color : 0.15 lux , BW : 0.5lux Color DSS : 0.08 lux , BW DSS : 0.001 lux
S/N Ratio	More Than 50dB (AGC off)
Fix Lens	Normal / Deblur
DC IRIS	Indoor / Outdoor / Deblur
SENSE UP	x2 / x4 / x8 / x16 / x32
DAY & NIGHT	Auto / Day / Night / Ext /
SMART IR	Off / On
WHITE BALANCE	Auto / Auto Ext / Preset / Manual
MIRROR	Off / H / V / H&V
E.ZOOM	x1 ~ x8
DNR	Off / Low / Middle / High
PRIVACY	Off / On (24 points)
MOTION	Off / On (16 points)
SHADING	0 ~ 100%
DEFOG	Off / On
WDR/BLC / HLC	Off / WDR(Low / Middle / High) / BLC /HLC
COMMUNICATION	ID(1 ~ 255) BAUDRATE (2400/ 4800/ 9600/ 19200/ 38400/ 57600/ 115200)
SYSTEM	NTSC / PAL
HD FORMAT	1080P
Video Output	HD-SDI / CVBS
IR LED	40 pcs
Night View DistanceLens	Outdoor 50m
LENS	2.8~12mm TDN Mega DC Lens (2Motorized)
Cable	Coxial
Power Source	DC12V±10%
Power Consumption	400mA
Operating Temperature	-10℃ ~50℃ (Humidity : 0%RH ~ 90%RH)
Storage Temperature	-20℃ ~60℃ (Humidity : 0%RH ~ 90%RH)
Dimension(mm)	72.34(W) x 72.34(H) x 140(L)
Weight	Approx. 1.35kg

*Specification and Design are subject to change without notice due to product improvement.