

# 2.2Mega Pixel HD-SDI 2Motorized **Auto-Focus** Camera(WDR)

**APDIR-HDT80VMI** (DC 12V)



**2Motorized Auto-Focus**  
**2.2Mega Pixel HD-SDI 1080P**  
**True Day & Night IR Dome Camera**

## DarkHunter

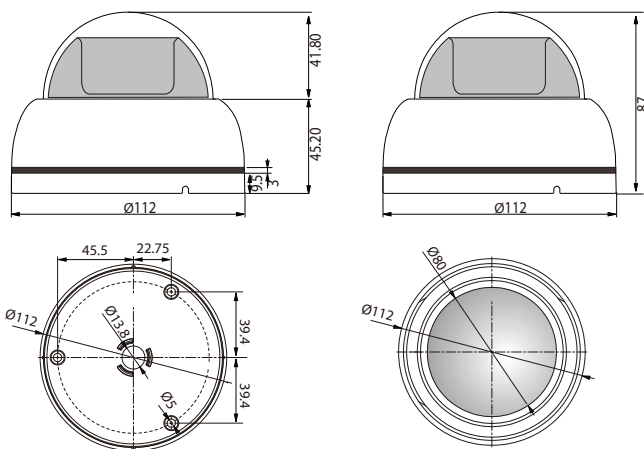
### FEATURES

- 1/2.8" 2.2 Mega SONY **STARVIS** CMOS Sensor
- 1,200TV Lines (Resolution)
- 2Motorized 2.8~12mm DC TDN Mega Lens
- True Day & Night
- WDR (Wide Dynamic Range)
- DNR (Digital Noise Reduction : 2D + 3D)
- Privacy Mask Function
- Intelligent Motion Detection
- Defog : Defogging foggy video image
- Output:
  - Digital Output: EX-SDI, HD-SDI
  - Analog Output : NT, PAL Composite
- Built-in IR LED 24pcs  
(Night View Distance: Indoor 25m)
- 3-Axis Gimbal & Plastic Dome Housing



### DIMENSIONS

unit : mm



### SPECIFICATIONS

APDIR-HDT80VMI	
Image Sensor	1/2.8" 2.2Mega pixel SONY <b>STARVIS</b> CMOS
Resolution	Digital : 1920 X 1080p, 1280 x 720p Analog : 700TVL
Total Pixels	1945(H) X 1109(V) = 2,16Mega(pixel)
Effective Pixels	1945(H) X 1097(V) = 2,13Mega(pixel)
Shutter Speed	Auto / Manual ( 1/30(1/25) ~ 1/60000 ) / FLICKER
Min. illumination	Color : 1.0 lux, BW : 0.5lux Color DSS : 0.002 lux, BW DSS : 0.001 lux
S/N Ratio	More Than 50dB (AGC off)
Fix Lens	Normal / Deblur
DC IRIS	Indoor / Outdoor / Deblur
SENSE UP	x2 / x4 / x8 / x16 / x32
DAY & NIGHT	Auto / Color / B&W / Ext
SMART IR	Off / On
WHITE BALANCE	Auto / Auto Ext / Preset / Manual
MIRROR	Off / H / V / H&V
E.ZOOM	x1 ~ x8
DNR	Off / Low / Middle / High
PRIVACY	Off / On (16 points)
MOTION	Off / On (16 points)
SHADING	0 ~ 100%
DEFOG	Off / On
WDR / BLC / HLC	Off / WDR(Low / Middle / High) / BLC /HLC
COMMUNICATION	ID(1 ~ 255) BAUDRATE (2400/ 4800/ 9600/ 19200/ 38400/ 57600/ 115200)
SYSTEM	NTSC / PAL
HD FORMAT	1080P / 720p
IR LED	24 pcs
Night View Distance	Indoor 25m
LENS	2Motorized 2.8~12mm TDN Mega Len
Cable	Over 400m (EX-SDI On), 200m(EX-SDI Off) with 5C-HFBT
Power Source	DC12V±10%
Power Consumption	DC12V 450mA
Operating Temperature	-10℃ ~50℃ (Humidity : 0%RH ~ 90%RH)
Storage Temperature	-20℃ ~60℃ (Humidity : 0%RH ~ 90%RH)
Dimension(mm)	112(Ø) x 87(H)
Weight	Approx. 0.32kg

\*Specification and Design are subject to change without notice due to product improvement.