

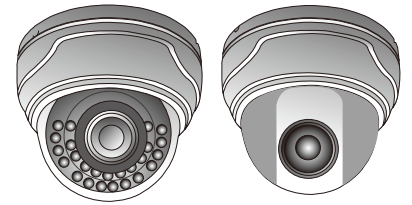
PRODUCT WARRANTY CARD

1) ITEM # :	
2) S/N # :	
3) INSTALLATION CONDITION	
- Indoor <input type="checkbox"/> / Outdoor <input type="checkbox"/>	
- Power supply SPECIFICATION :	
DC12V <input type="checkbox"/> / AC24V <input type="checkbox"/>	
CURRENT _____ mA	
4) TROUBLESHOOTING	
- No picture <input type="checkbox"/>	
- Bad image <input type="checkbox"/>	
- No power <input type="checkbox"/>	
- Water damage <input type="checkbox"/>	
- LED ON <input type="checkbox"/> / OFF <input type="checkbox"/>	
- ETC. : <input type="checkbox"/>	
* Please keep this warranty card with the manual.	
* Please fill out this warranty card and send us this warranty card with the faulty units together.	

- Following cases can be charged even within the warranty period.
- When defects are caused by user's carelessness.
 - When improper or unauthorized repairs are done or when the inside is modified or damaged.
 - Defects caused by natural disaster or power problem.
 - When the warranty card is not filled out or corrected unconfirmed.

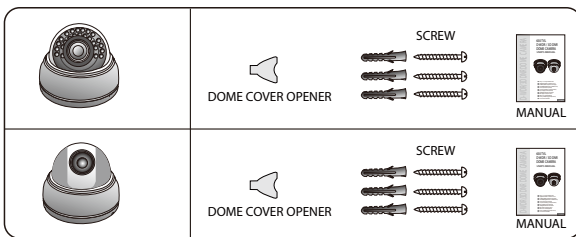
FULL HD MEGA PIXEL CAMERA

FULL HD MEGA PIXEL DOME CAMERA USER'S MANUAL

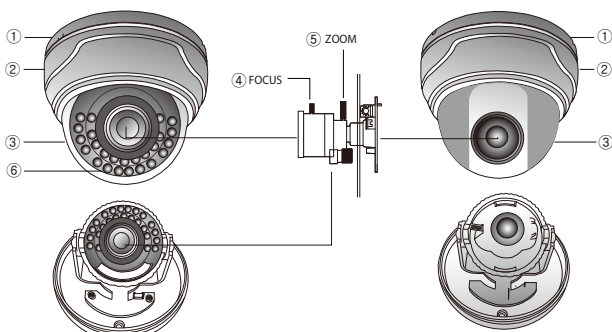


- 2.2M 1080P Full HD with SONY EXMOR CMOS
- 1,100TV Lines (Resolution)
- Day & Night
- Output:
 - Digital Output: HD-SDI
 - Analog Output: NT, PAL Composite
- Built-in IR LED 24pcs
(Night View Distance: Indoor 25m)
- 3-Axis Gimbal & Plastic Dome Housing
- Optional : OSD Controller

1. Components

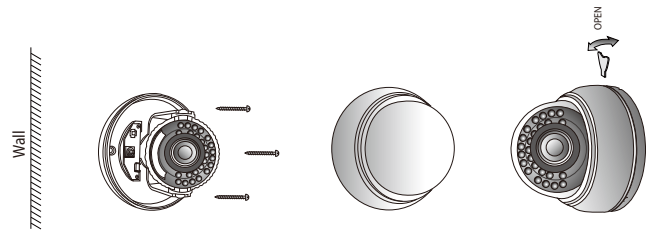


2. Names and Functions of Parts

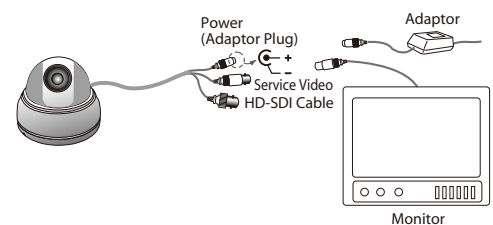


- Base
- Dome Cover Ring
- Dome
- Focus Handle
Used to provide for accurate of an object within the lens field of view
- Zoom Handle
Used to adjust zoom magnification by turning
- IR LEDs

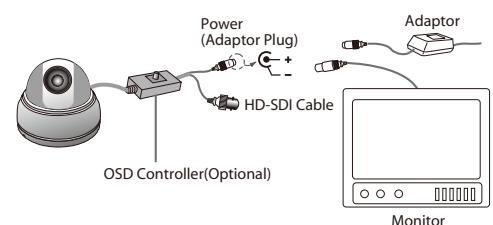
3. Installation & Connection



DC Power Connecting



DC Power Connecting (with OSD Controller)



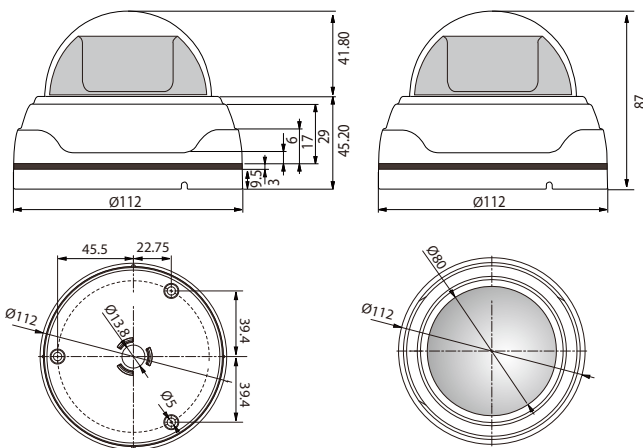
4. Menu Control Value

ITEM	INPUT	VALUE	ITEM	INPUT	VALUE
Lens sel	0	Manual	WB mode	0	Auto
	1	DC		1	Normal
Bright	0~50			2	Warm
				3	Cool
Shutter	0	Auto		4	Manual
	1	1/50s		5	User-1
	2	1/60s		6	User-2
	3	1/100s		7	User-3
	4	1/180s		0	Color
	5	1/250s		1	B&W
	6	1/350s		2	Ext
	7	1/500s		3	Auto
	8	1/750s			
	9	1/1000s	C2B th	1~100	
	10	1/1500s	C2B delay	0~11	
	11	1/2000s	B2C th	1~100	
12	1/3000s	B2C delay	0~11		
Agc	0 / 1	L / H	Freeze	0 / 1	Off / On
Sens up	0	Off	Mirror	0 / 1	Off / On
	1	Low	Flip	0 / 1	Off / On
	2	High	Zoom flag	0 / 1	Off / On
Defog flag	0 / 1	Off / On	Zoom level	1~230	
Defog level	0~8		Sharp flag	0 / 1	Off / On
Auto tone	0 / 1	Off / On			
Gamma	5~25				

ITEM	INPUT	VALUE	ITEM	INPUT	VALUE
Sharp level	0~29		Motion flag	0 / 1	Off / On
WDR	0	Off	Motion sx	0~9	
	1	BLC On	Motion sy	0~7	
	2	WDR On	Motion ex	0~9	
BLC level	0	Low	Motion ey	0~7	
	1	Mid	Eclipse th	0~254	
	2	High	Eclipse y	0~250	
BLC sx	1~120		DIS sel	0	Off
BLC sy	1~68			1	Low
BLC ex	1~120			2	Med
BLC ey	1~68		3	High	
Desat.	0~9	5	Cam title flag	0 / 1	Off / On
WDR level	1~255		Cam id	1~255	
WDR cc sel	0~3		Baud rate	0	9600
WDR g sel	0~3		Disp cam id	0 / 1	Off / On
UWDR flag	0 / 1	Off / On	Lang	0	Eng
UWDR sx	1~240			1	Chi or Tai
UWDR ex	1~240		Font color	0	
UWDR sy	1~135			1	
UWDR ey	1~135			2	
2DNR sel	0	Off		3	
	1	On		4	
	2	Auto		5	
2DNR th	0~16			6	
3DNR sel	0	Off		7	
	1	On		8	
	2	Auto	9		

5. Dimension

unit :mm



6. SPECIFICATIONS

Image Sensor	1/2.8" SONY EXMOR CMOS	
Total Pixels	1952(H) x 1116(V) = 2.18M pixels	
Active pixels	1936(H) x 1096(V) = 2.12M pixels	
Scanning system	Progressive	
Resolution	Digital ; 1920x1080p(1080p/30fps) , 1280x720p(720p/60fps)	
	Analog : 700TVL	
Min. illumination	Color : 1.0 lux , BW : 0.5lux	
Video Output	HD-SDI, BT.1120	
	Analog : NTSC, PAL	
S/N Ratio	more than 50dB (AGC off)	
Analogue	NTSC, PAL CVBS	
HD-SDI(SMA CONNECTOR)	Video Output	
Day & Night System	ICR(Optional)	
IR LED	IR LED Type	Non IR LED Type
	24 pcs	
Night View Distance	Indoor 25m	
Lens	2.8~12mm TDN Mega Lens	3.6mm TDN Mega Lens
Lens(Optional)	2.8~12mm TDN Mega Lens / 3.6mm Mega Lens	
Cable	5C-2V 120m(Max)	
Power Consumption	DC12V 450mA	DC12V 250mA
Operating Temperature	-10℃ ~50℃ (Humidity : 0%RH ~ 80%RH)	
Storage Temperature	-20℃ ~60℃ (Humidity : 0%RH ~ 80%RH)	
Dimension(mm)	112(Ø) x 87(H)	
Weight	Approx. 0.32kg	

Design and specifications are subject to change without notice.