

## APD-5180V/EV (DC 12V)

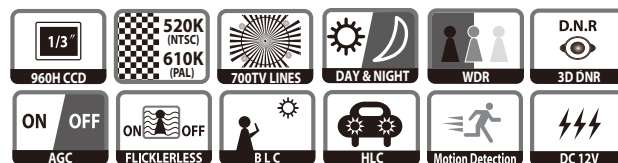
Effio-v™



REAL WDR/3DNR/DEFOG/IR OPTIMIZE/SCENE SELECTION  
Day & Night Dome Camera

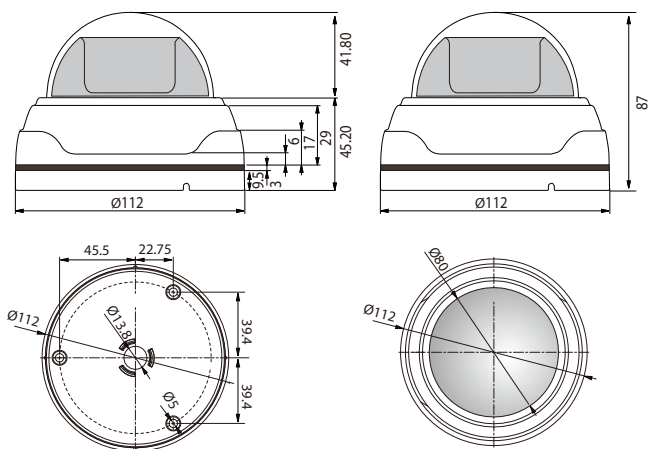
### FEATURES

- Sony 960H Double Scan CCD II
- Horizontal Resolution of over 700 TV Lines
- Real Wide Dynamic Range
- 2D&3D Noise Reduction
- IR-Optimizer
- Digital Image Stabilizer
- Defog(Auto. Detection)
- Motion Detection (Frame rate link)
- Multi-languages OSD
- Polygon Privacy mask
- Intelligent scene recognition
- Lens shading compensation
- Coaxial communication
- Day & Night
- 2.8~12mm DC Iris Varifocal Lens
- Built-in OSD Controller
- 3-Axis Gimbal & Plastic Dome Housing



### DIMENSIONS

unit : mm



### SPECIFICATIONS

APD-5180V/EV		
TV System	NTSC	PAL
Sensor	Sony 960H Double Scan CCD II	
Total Pixels	(H)1020 x (V)508	(H)1020 x (V)596
Effective Pixels	(H)976 x (V)494	(H)976 x (V)582
Synchronization	H/V 15.734/59.94Hz	H/V 15.625/50Hz
Scanning System	2:1 Interlace	
Horizontal Resolution	700 TV Lines in color	
Min. Illumination	Color : 0.3 Lux B/W : 0.1 Lux	
Video Output	VBS 1.0Vp-p (75ohm Terminated)	
S/N	More than 50dB	
<b>Function</b>		
Scene Select	Custom / Auto Scene / Indoor / Outdoor / Backlight / ITS	
Auto Gain Control	OFF / ON	
Shutter Speed	1/60~1/120,000	1/50~1/120,000
Digital Slow Shutter	OFF / AUTO (5X)	
Flickerless	OFF / ON / AUTO	
Wide Dynamic Range	OFF / MANUAL / AUTO	
Defog	OFF / ON	
BLC/HLC	OFF / ON	
Day & Night	DAY / NIGHT / AUTO / EXT 1 / EXT 2 (IR-Optimizer)	
White Balance	ATW / PUSH / MANUAL / USER 1 / USER 2 / PUSH LOCK	
Digital Noise Reduction	2D, 3D (OFF / 1~6)	
Flip(Mirror)	OFF / H / V / HV	
Effect	POSITIVE / NEGATIVE	
Lens Shading Compensation	1 ~ 20 Steps	
Polygon Privacy Mask	OFF / On (15 masks)	
Motion Detection	OFF / ON (24 x 16 Block)	
Blemish Compensation	MANUAL / AUTO (64 point)	
Communication	COAX : PELCO-C / RS-485 : PELCO-D	
Language	English / Español / Russian / Potugal / DEUTSCH / France / Japanese	
<b>Electrical</b>		
Lens	2.8~12mm DC Iris Varifocal Lens	
Operating Temperature/Humidity	-20°C ~50°C / 30% ~80%	
Storage Temperature/Humidity	-30°C ~60°C / 20% ~90%	
Power(Max.)	DC 12V 120mA	
	[Recommended-Voltage : +/- 20%, Current: Adapter with rated power of 2 times(than real using current)]	
Dimension(mm)	112(Ø) x 87(H)	
Weight	Approx. 0.32kg	