

ACH-T5180/EV (DC 12V)
ACH-T5180D/EV (AC24V /DC12V)
ACH-T5180F/EV (Free Voltage)

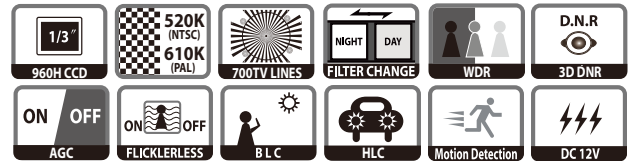
Effio-V™



FEATURES

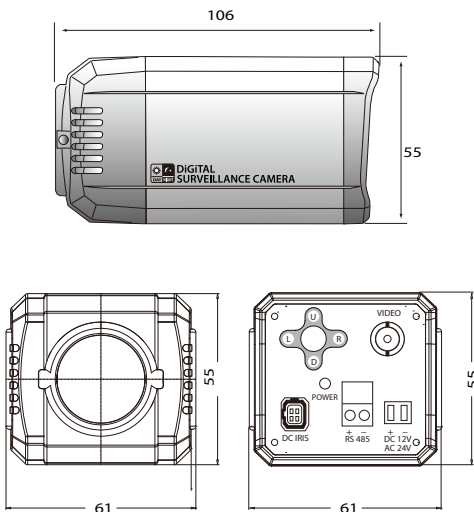
- Sony 960H Double Scan CCD II
- Horizontal Resolution of over 700 TV Lines
- Real Wide Dynamic Range
- 2D&3D Noise Reduction
- IR-Optimizer
- Digital Image Stabilizer
- Defog(Auto. Detection)
- Motion Detection (Frame rate link)
- Multi-languages OSD
- Polygon Privacy mask
- Intelligent scene recognition
- Lens shading compensation
- Coaxial communication
- True Day & Night(ICR)
- C/CS Mount

REAL WDR/3DNR/DEFOG/IR OPTIMIZE/SCENE SELECTION
True Day & Night Box Camera



DIMENSIONS

unit : mm



SPECIFICATIONS

ACH-T5180EV	
TV System	NTSC PAL
Sensor	Sony 960H Double Scan CCD
Total Pixels	(H)1020 x (V)508 (H)1020 x (V)596
Effective Pixels	(H)976 x (V)494 (H)976 x (V)582
Synchronization	H/V 15.734/59.94Hz H/V 15.625/50Hz
Scanning System	2:1 Interlace
Horizontal Resolution	700 TV Lines in color
Min. Illumination	Color : 0.3 Lux B/W : 0.1 Lux
Video Output	VBS 1.0Vp-p (75ohm Terminated)
S/N	More than 50dB
Function	
Scene Select	Custom / Auto Scene / Indoor / Outdoor / Backlight / ITS
Auto Gain Control	OFF / ON
Shutter Speed	1/60~1/120,000 1/50~1/120,000
Digital Slow Shutter	OFF / AUTO (5X)
Flickerless	OFF / ON / AUTO
Wide Dynamic Range	OFF / MANUAL / AUTO
Defog	OFF / ON
BLC/HLC	OFF / ON
Day & Night	DAY / NIGHT / AUTO / EXT 1 / EXT 2 (IR-Optimizer)
White Balance	ATW / PUSH / MANUAL / USER 1 / USER 2 / PUSH LOCK
Digital Noise Reduction	2D, 3D (OFF / 1~6)
Flip(Mirror)	OFF / H / V / HV
Effect	POSITIVE / NEGATIVE
Lens Shading Compensation	1 ~ 20 Steps
Polygon Privacy Mask	OFF / On (15 masks)
Motion Detection	OFF / ON (24 x 16 Block)
Blemish Compensation	MANUAL / AUTO (64 point)
Communication	COAX : PELCO-C / RS-485 : PELCO-D
Language	English / Español / Russian / Potugal / DEUTSCH / France / Japanese
Electrical	
Day & Night System	ICR
Lens	C / CS Mount
Operating Temperature/Humidity	-20°C ~50°C / 30% ~80%
Storage Temperature/Humidity	-30°C ~60°C / 20% ~90%
Power(Max.)	DC 12V 120mA
	[Recommended-Voltage : +/- 20%, Current: Adapter with rated power of 2 times(than real using current)]
Dimension(mm)	61(W) x 55(H) x 106(L)mm
Weight	Approx. 0.35kg